



fastforwarddigital

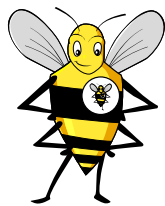


the home of Badger Makes Badges and Colour Copy Centre



Fast Forward Digital

109 Elizabeth St, Hobart TAS 7000
Phone: (03) 6234 3352 or (03) 6231 2197
Fax: (03) 6231 3158
sales@badgermakesbadges.com
hobart@copyandprint.com.au



BadgeBee

Slide Badge Machine

OPERATING INSTRUCTIONS for 43mm plastic pin-back Badges

- 1** Remove the sticky tape from the white plastic ring inside the right die (R). The tape is just there to prevent the plastic ring from falling out during transport.

Please be sure to tape the ring back down when you have finished.

Make sure that the Lower Dies (L) and (R) can slide freely to the left and to the right.
- 2** Slide the Lower Dies all the way to the left, so you can start inserting the front half of the badge into the Left Die (L).

Insert the metal disc so the rim drops neatly in the groove of the Left Die (L).

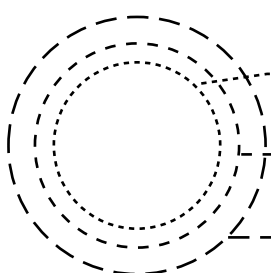
Place your pre-cut artwork on top of the metal disc, picture side up. The top of the picture should be at the back of the die.

Place a clear plastic disc over the top of the picture.
- 3** Slide the Lower Dies all the way to the right, so (L) is under the Top Die (T) and you can access the Right Die (R).

Pull the handle down to crimp the front parts up into the Top Die (T). Firm pressure is required but do not use excessive force.
- 4** Place a pin-back in (R), with the pin side down. The pin should be closer to the back of the die than the front so it is the same way up as your art.

Slide the Lower Dies all the way to the left, so (R) is under (T). Pull the handle down again to crimp all the badge parts together. The same firm pressure is required here. *
- 5** Slide the bottom dies all the way to the right, and remove your finished badge.

*When making large quantities, for added efficiency, at this point you can load new metal, art and clear into (L) to begin a new badge and start again at step 3.

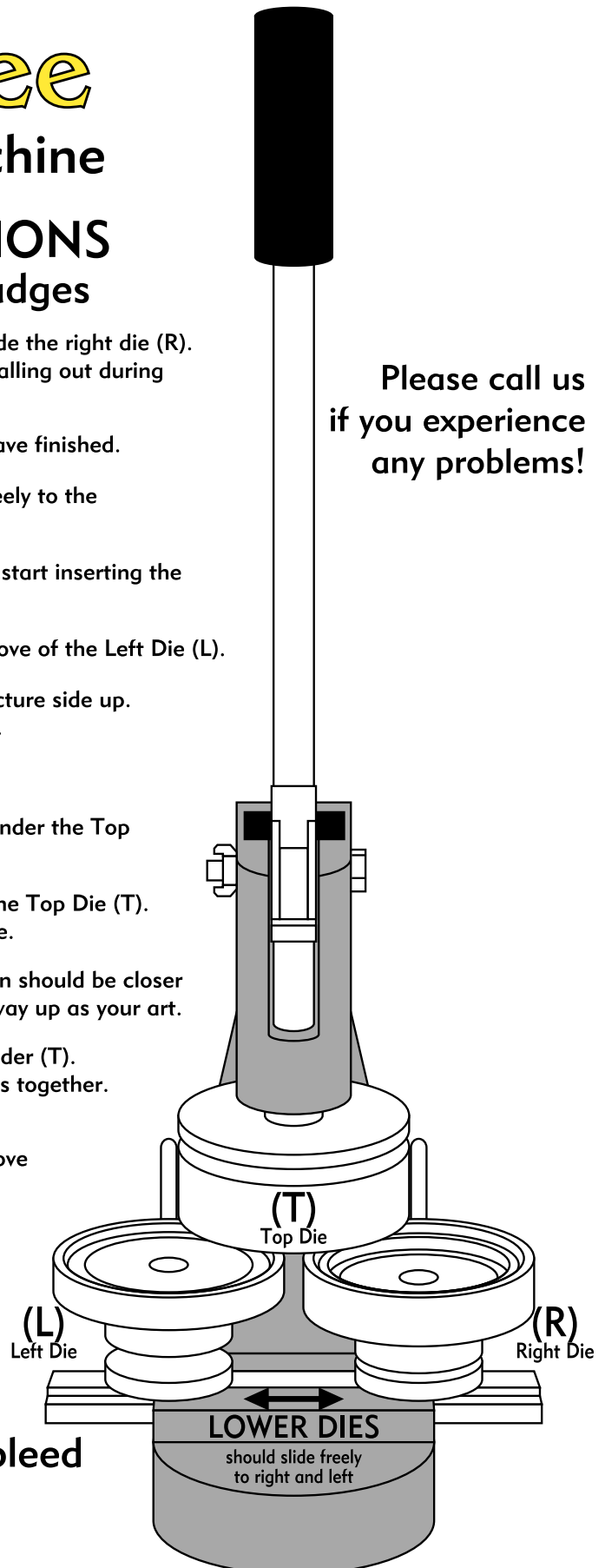


40mm - visible area

50mm - background bleed

54mm - cut guide

This diagram is not at actual size.



Be sure to tape the plastic ring back down when you have finished.